

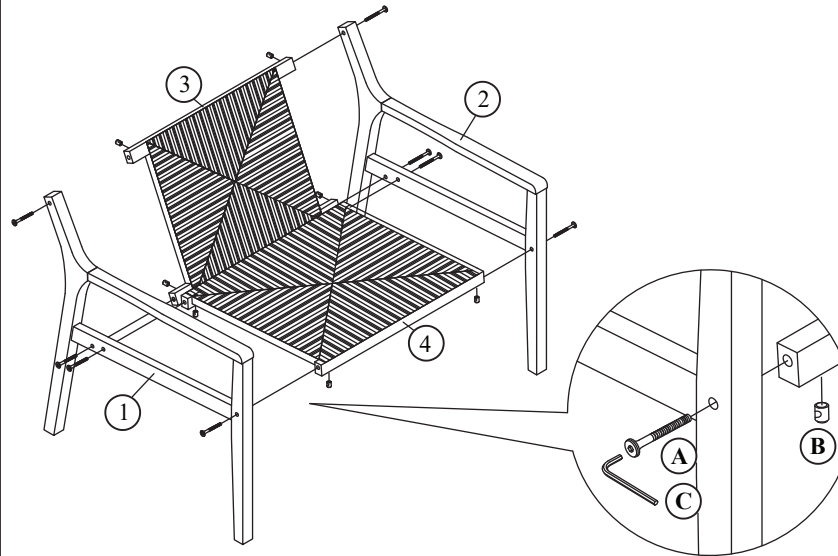
ASSEMBLY INSTRUCTION

ITEM : Oak-DC

NO.	PARTLIST	QTY
1	LEFT RAMREST	1PC
2	RIGHT RAMREST	1PC
3	CHAIR BACK	1PC
4	CHAIR SEAT	1PC
NO.	HARDWARE	QTY
A	BOLT M6 X 55	8PCS
B	NUT	8PCS
C	ALLEN KEY	1PC
D	WOOD PLUG	8PCS
E	FELT PAD	4PCS

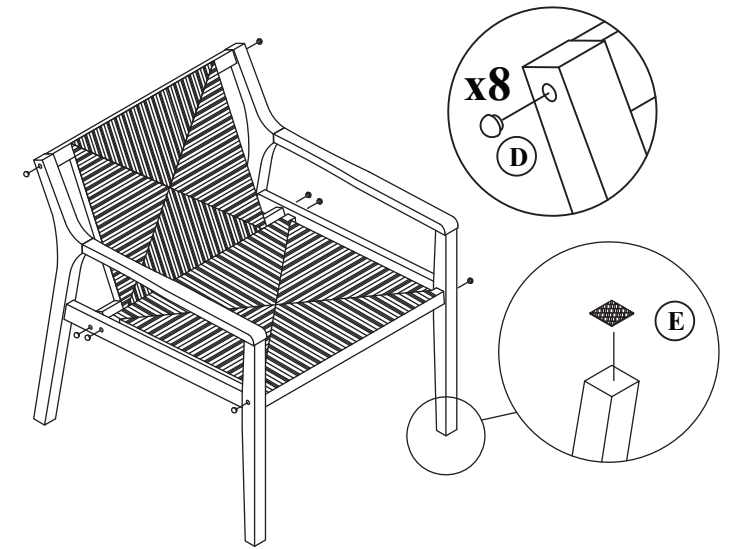
STEP 1

Fix chair back (3), chair seat (4) and armrest of chair (1)&(2) by using bolt(A), nut (B) and allen key (C).

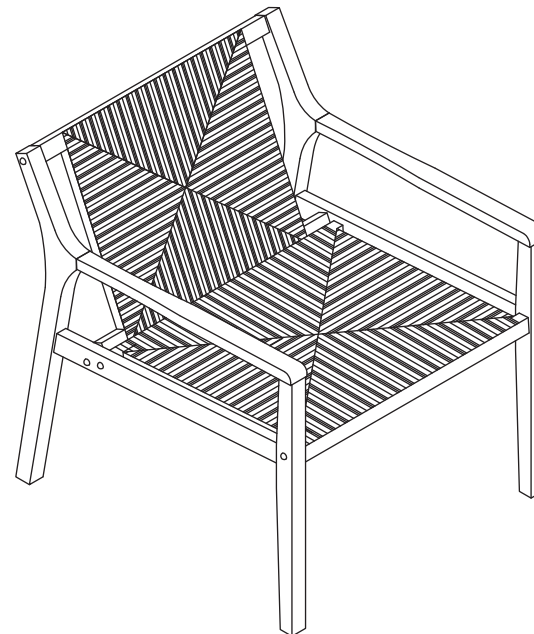


STEP 2

Insert wood plug (D) into the armrest of chair, then add felt pad (E) on bottom.



STEP 3



ASSEMBLY COMPLETED

NOTE : AFTER A FEW DAYS OF ASSEMBLY. IT WILL HAVE ACCLIMATIZED TO THE ENVIRONMENT. PLEASE TIGHTEN ALL HARDWARE. CHECK TIGHTNESS OF ALL SCREWS EVERY 6 - 8 WEEKS.